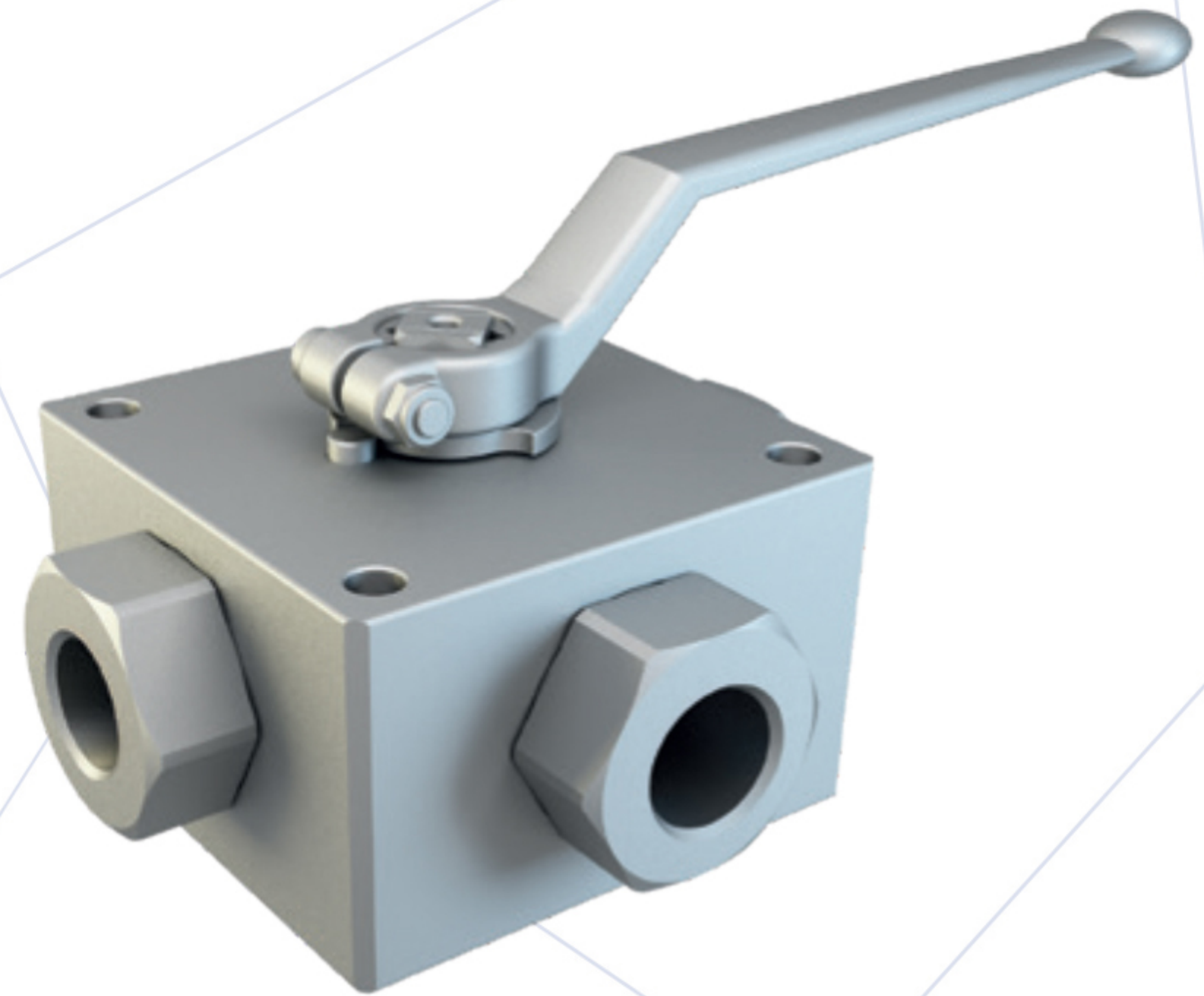


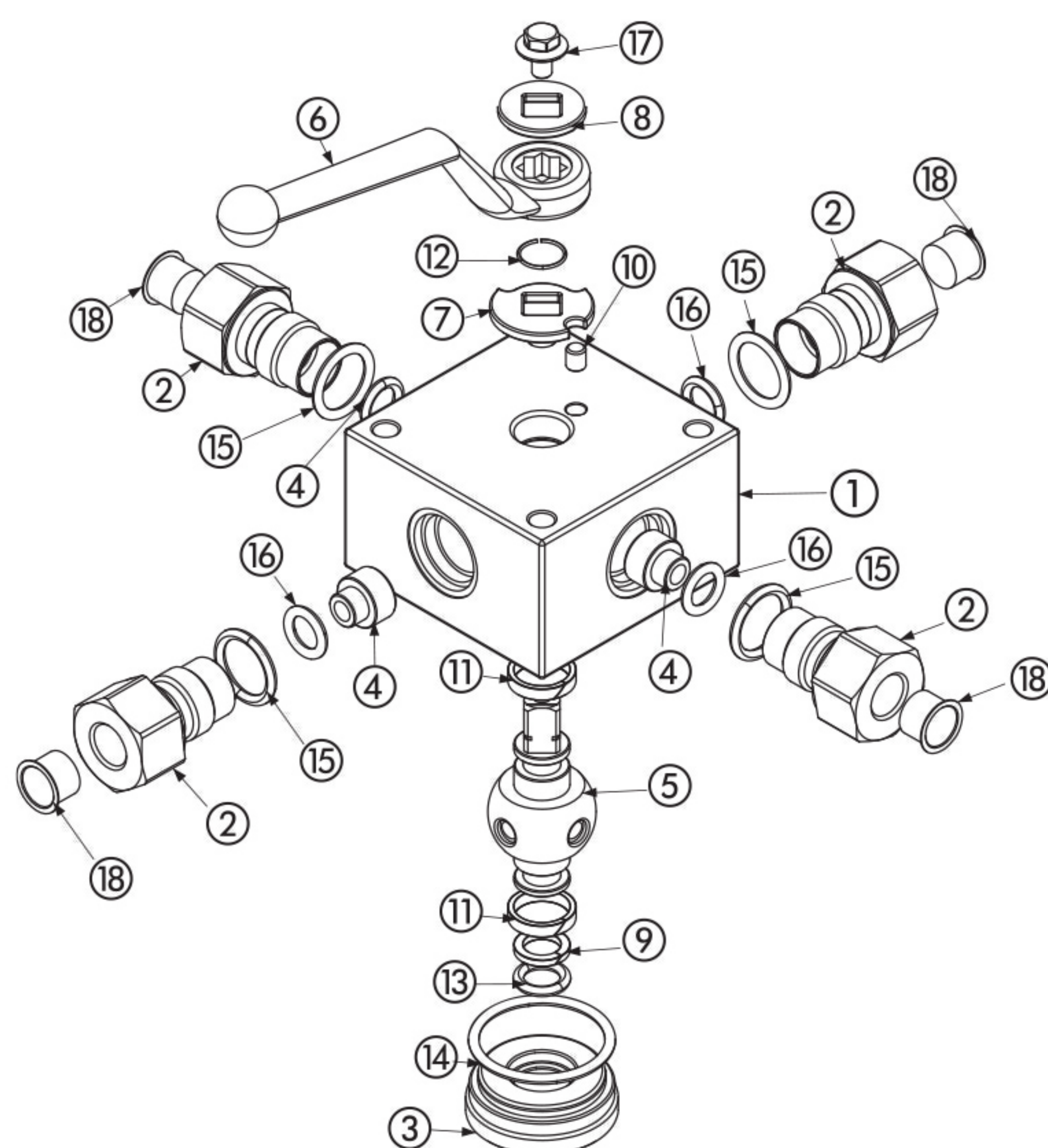
G4K

4-WAY HIGH PRESSURE BALL VALVES

CARBON STEEL

- Type: ball valve G4K 4 way
- Body: square
- Ball seats: from DN6 up to DN25
- Operating pressure: 500 Bar
depending on valve size and seal materials selected
- Temp range: -20°C to +100°C
depending on seal material selected



**CARBON STEEL**

| Part No. | Part Name | Material | Quantity |
|----------|------------------|--------------|----------|
| 1 | Body | 1,0737 | 1 |
| 2 | Adapter | 1,0737 | 4 |
| 3 | Stemball adapter | 1,0737 | 1 |
| 4 | Ball Seat | POM | 4 |
| 5 | Ball stem | 1,0737 | 1 |
| 6 | Handle | ZINC | 1 |
| 7 | Washer | 1,0116 | 1 |
| 8 | Washer | 1,0116 | 1 |
| 9 | Stemball ring | PTFE | 2 |
| 10 | Spine | 1,0737 | 1 |
| 11 | Body ring | PTFE | 2 |
| 12 | Seeger | 1,4301 | 1 |
| 13 | Stemball o-ring | NBR | 2 |
| 14 | Body o-ring | NBR | 1 |
| 15 | Adapter o-ring | NBR | 4 |
| 16 | Seal o-ring | NBR | 4 |
| 17 | Screw | DIN 6921 8.8 | 1 |
| 18 | Caps | PVC | 4 |

CARBON STEEL

| G4K | K01 | G¼ | DN6 | 1 | 1 | 1 | 1 | A | B | |
|-----------------------|-------------|----------------------|------------------------|-------------------|---------------|------------------|---------------|---------------|--------------------|--------------------------------|
| TYPE AND WAY OF VALVE | TYPE OF WAY | GAS DIN/ ISO 228 BSP | NPT ANSI/ ASME B1.20.1 | NOMINAL DIMENSION | BODY MATERIAL | ADAPTER MATERIAL | STEM MATERIAL | BALL MATERIAL | BALL SEAT MATERIAL | ADAPTER AND STEM SEAL MATERIAL |
| G4K 4-way | L K01 | G ¼ | N ¼ | DN6 | 1 1,0737 | 1 1,0737 | 1 1,0737 | 1 1,0737 | A POM | B NBR |
| | T K13 | G ¾ | N ¾ | DN10 | | | | | | |
| | X K14 | G ½ | N ½ | DN13 | | | | | | |
| | | G ¾ | N ¾ | DN20 | | | | | | |
| | | G 1 | N 1 | DN25 | | | | | | |
| | | G 1 ¼ R | N 1 ¼ R | | | | | | | |
| | | G 1 ½ R | N 1 ½ R | | | | | | | |

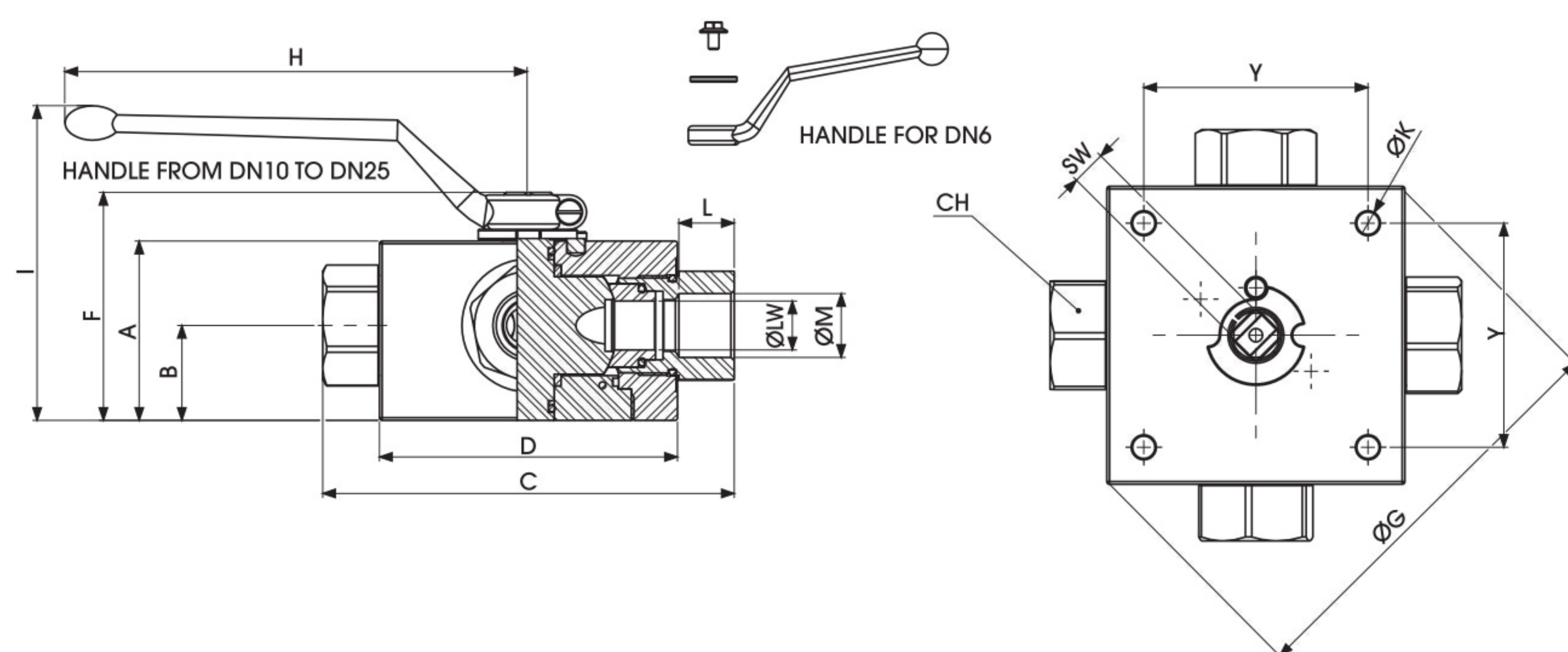
*On request:

- Reduced bore
- Special threads

- Pressure class up to PN50 MPa
- Pneumatic and electrical actuator

- Locking device

For further special requests please consult our technical/commercial service



G4K DIN ISO 228 BSP

Standard

| TYPE | PN | DN | A | B | C | D | E | F | ØG | H | I | L | ØM | CH | ØK | Y | SW | LW | KG |
|---------------|--------|----|----|------|-----|-----|----|-------|-----|-----|-------|------|---------|----|-----|----|----|----|-------|
| G4K G 1/4 | 50 MPa | 6 | 42 | 21,5 | 100 | 70 | 11 | 56,5 | - | 110 | 97,5 | 15,5 | G 1/4 | 24 | 6,5 | 55 | 9 | 6 | 1,767 |
| G4K G 3/8 | 50 MPa | 10 | 53 | 28,5 | 115 | 80 | 14 | 71,5 | - | 180 | 101 | 15,5 | G 3/8 | 30 | 6,5 | 65 | 14 | 10 | 3,018 |
| G4K G 1/2 | 40 MPa | 13 | 62 | 33 | 136 | 100 | 14 | 80,5 | - | 180 | 110 | 17 | G 1/2 | 41 | 8,5 | 80 | 14 | 13 | 5,247 |
| G4K G 3/4 | 35 MPa | 20 | 68 | 36 | 156 | 113 | 14 | 86,5 | - | 300 | 116,5 | 21 | G 3/4 | 41 | 8,5 | 85 | 14 | 20 | 6,898 |
| G4K G 1 | 35 MPa | 25 | 82 | 47,5 | 181 | 118 | 14 | 100,5 | 138 | 300 | 130,5 | 24 | G 1 | 50 | 8,5 | 85 | 14 | 25 | 9,005 |
| G4K G 1 1/4 R | 35 MPa | 25 | 82 | 47,5 | 181 | 118 | 14 | 100,5 | 138 | 300 | 130,5 | 24 | G 1 1/4 | 55 | 8,5 | 85 | 14 | 25 | 8,989 |
| G4K G 1 1/2 R | 35 MPa | 25 | 82 | 47,5 | 181 | 118 | 14 | 100,5 | 138 | 300 | 130,5 | 24 | G 1 1/2 | 60 | 8,5 | 85 | 14 | 25 | 9,213 |

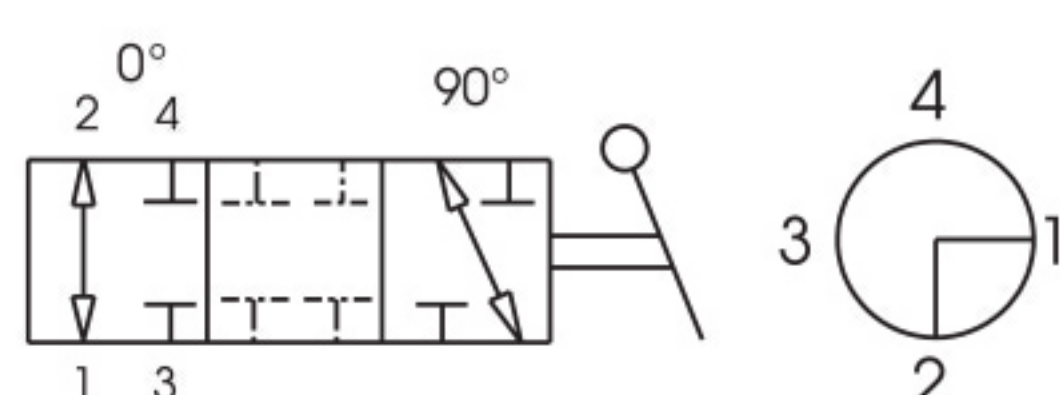
G4K ANSI/ASME B1.20.1 NPT

Standard

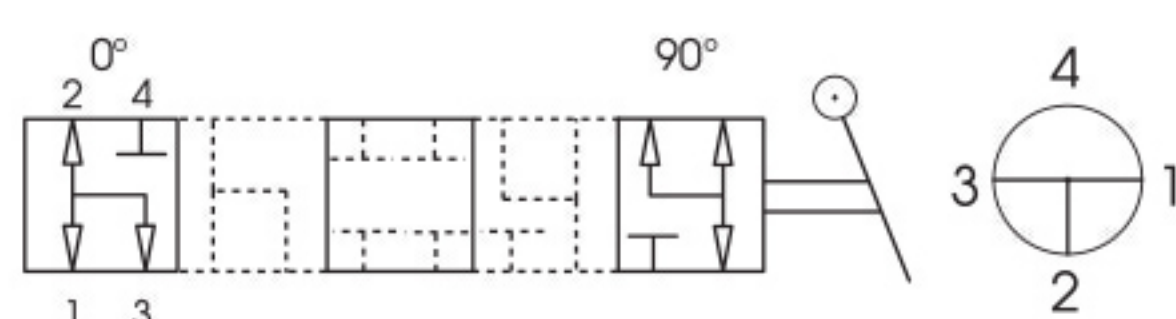
| TYPE | PN | DN | A | B | C | D | E | F | ØG | H | I | L | ØM | CH | ØK | Y | SW | LW | KG |
|---------------|--------|----|----|------|-----|-----|----|-------|-----|-----|-------|------|---------|----|-----|----|----|----|-------|
| G4K N 1/4 | 50 MPa | 6 | 42 | 21,5 | 100 | 70 | 11 | 56,5 | - | 110 | 97,5 | 15,5 | N 1/4 | 24 | 6,5 | 55 | 9 | 6 | 1,767 |
| G4K N 3/8 | 50 MPa | 10 | 53 | 28,5 | 115 | 80 | 14 | 71,5 | - | 180 | 101 | 15,5 | N 3/8 | 30 | 6,5 | 65 | 14 | 10 | 3,018 |
| G4K N 1/2 | 40 MPa | 13 | 62 | 33 | 136 | 100 | 14 | 80,5 | - | 180 | 110 | 17 | N 1/2 | 41 | 8,5 | 80 | 14 | 13 | 5,247 |
| G4K N 3/4 | 35 MPa | 20 | 68 | 36 | 156 | 113 | 14 | 86,5 | - | 300 | 116,5 | 21 | N 3/4 | 41 | 8,5 | 85 | 14 | 20 | 6,898 |
| G4K N 1 | 35 MPa | 25 | 82 | 47,5 | 181 | 118 | 14 | 100,5 | 138 | 300 | 130,5 | 24 | N 1 | 50 | 8,5 | 85 | 14 | 25 | 9,005 |
| G4K N 1 1/4 R | 35 MPa | 25 | 82 | 47,5 | 181 | 118 | 14 | 100,5 | 138 | 300 | 130,5 | 24 | N 1 1/4 | 55 | 8,5 | 85 | 14 | 25 | 8,989 |
| G4K N 1 1/2 R | 35 MPa | 25 | 82 | 47,5 | 181 | 118 | 14 | 100,5 | 138 | 300 | 130,5 | 24 | N 1 1/2 | 60 | 8,5 | 85 | 14 | 25 | 9,213 |

Standard schemes

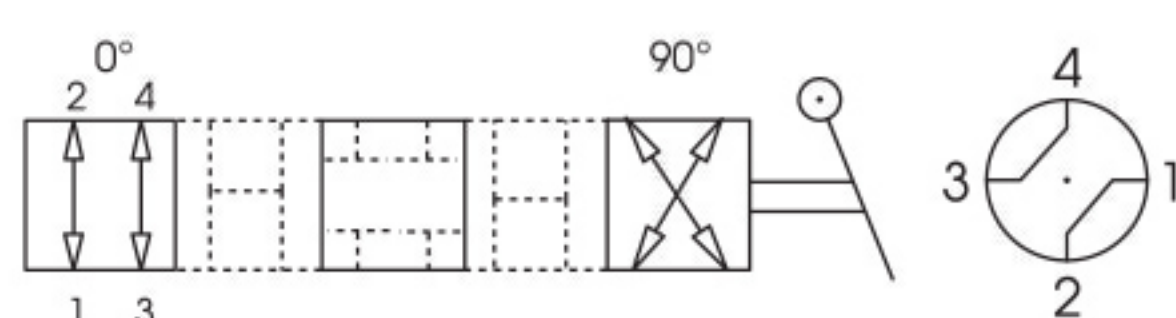
L scheme G4 K01



T scheme G4 K13



X scheme G4 K14



G4K DIN ISO 228 BSP

Standard

| CARBON STEEL | |
|--------------|-----------------|
| ØLW-K01 | ITEM CODE G4K01 |
| 6 | G24GGT15011A000 |
| 10 | G24GGT25011A000 |
| 13 | G24GGT34011A000 |
| 19 | G24GGT43011A000 |
| 23 | G24GGT53011A000 |
| 23 | G24GGR63011A000 |
| 23 | G24GGR73011A000 |

| CARBON STEEL | |
|--------------|-----------------|
| ØLW-K13 | ITEM CODE G4K13 |
| 6 | G2DGGT15011A000 |
| 10 | G2DGGT25011A000 |
| 13 | G2DGGT34011A000 |
| 19 | G2DGGT43011A000 |
| 23 | G2DGGT53011A000 |
| 23 | G2DGGR63011A000 |
| 23 | G2DGGR73011A000 |

| CARBON STEEL | |
|--------------|-----------------|
| ØLW-K14 | ITEM CODE G4K14 |
| 5 | G2EGGT15011A000 |
| 7 | G2EGGT25011A000 |
| 10 | G2EGGT34011A000 |
| 15 | G2EGGT43011A000 |
| 17 | G2EGGT53011A000 |
| 17 | G2EGGR63011A000 |
| 17 | G2EGGR73011A000 |

G4K ANSI/ASME B1.20.1 NPT

Standard

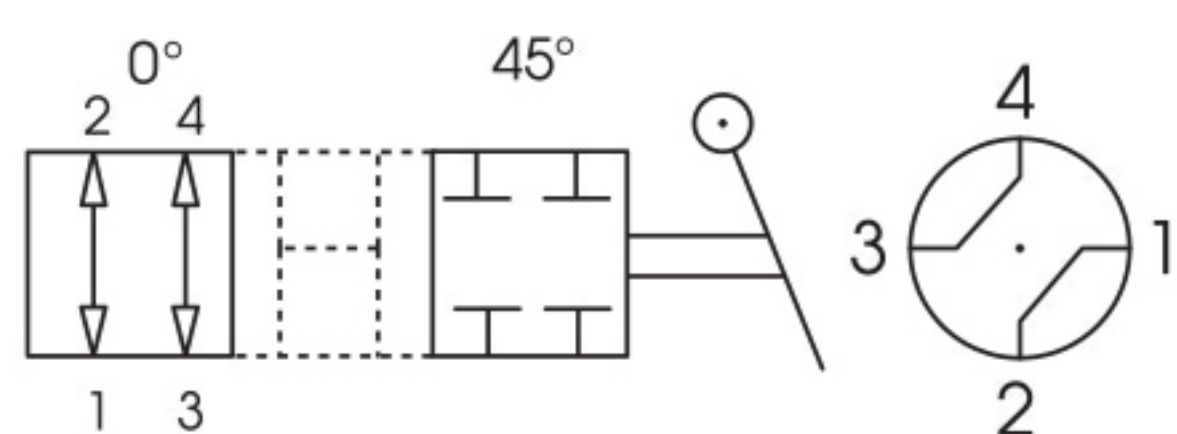
| CARBON STEEL | |
|--------------|-----------------|
| ØLW-K01 | ITEM CODE G4K01 |
| 6 | G24NNT15011A000 |
| 10 | G24NNT25011A000 |
| 13 | G24NNT34011A000 |
| 19 | G24NNT43011A000 |
| 23 | G24NNT53011A000 |
| 23 | G24NNR63011A000 |
| 23 | G24NNR73011A000 |

| CARBON STEEL | |
|--------------|-----------------|
| ØLW-K13 | ITEM CODE G4K13 |
| 6 | G2DNNT15011A000 |
| 10 | G2DNNT25011A000 |
| 13 | G2DNNT34011A000 |
| 19 | G2DNNT43011A000 |
| 23 | G2DNNT53011A000 |
| 23 | G2DNNR63011A000 |
| 23 | G2DNNR73011A000 |

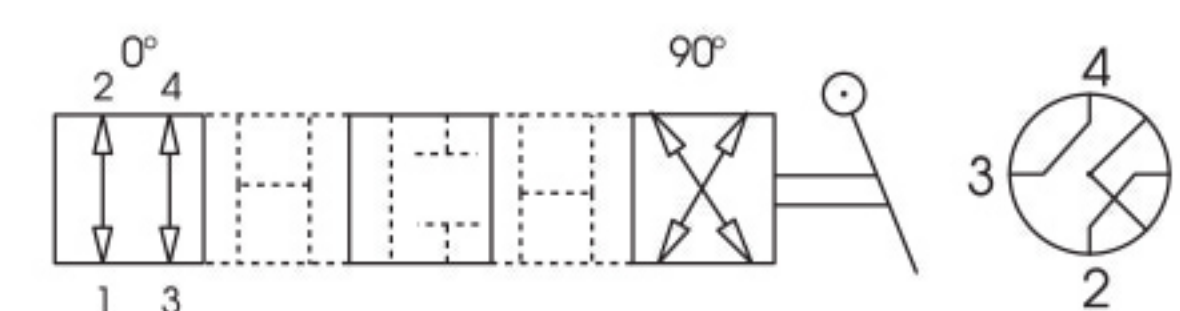
| CARBON STEEL | |
|--------------|-----------------|
| ØLW-K14 | ITEM CODE G4K14 |
| 5 | G2ENNT15011A000 |
| 7 | G2ENNT25011A000 |
| 10 | G2ENNT34011A000 |
| 15 | G2ENNT43011A000 |
| 17 | G2ENNT53011A000 |
| 17 | G2ENNR63011A000 |
| 17 | G2ENNR73011A000 |

Special schemes on request

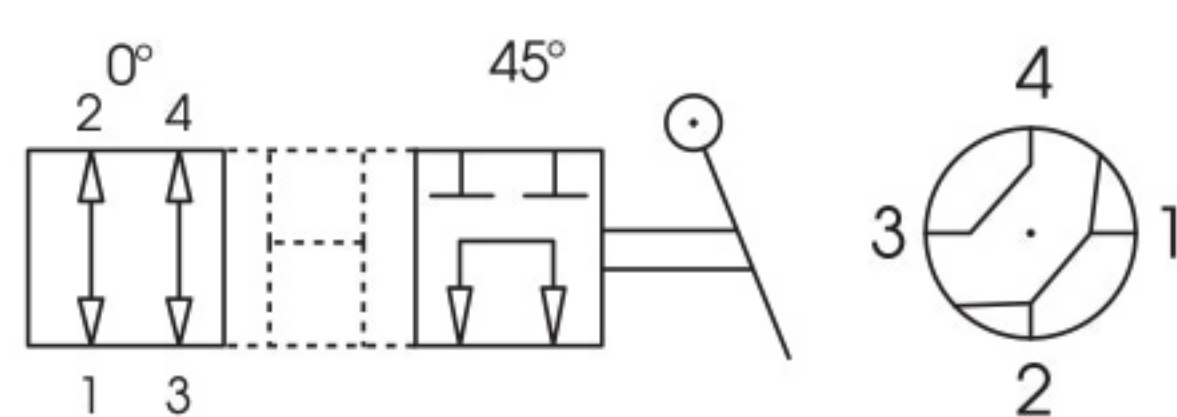
G4 K15



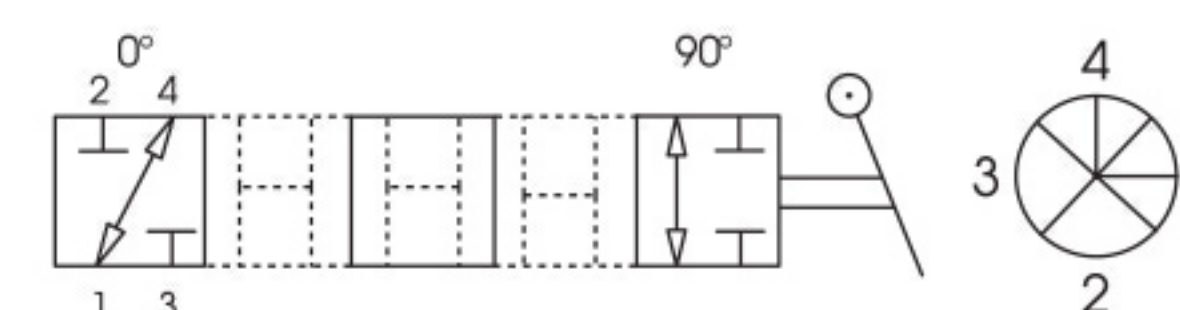
G4 K22



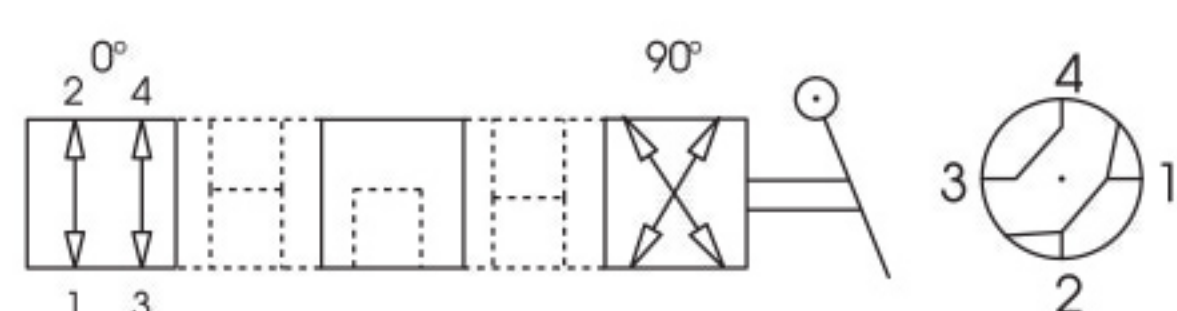
G4 K16



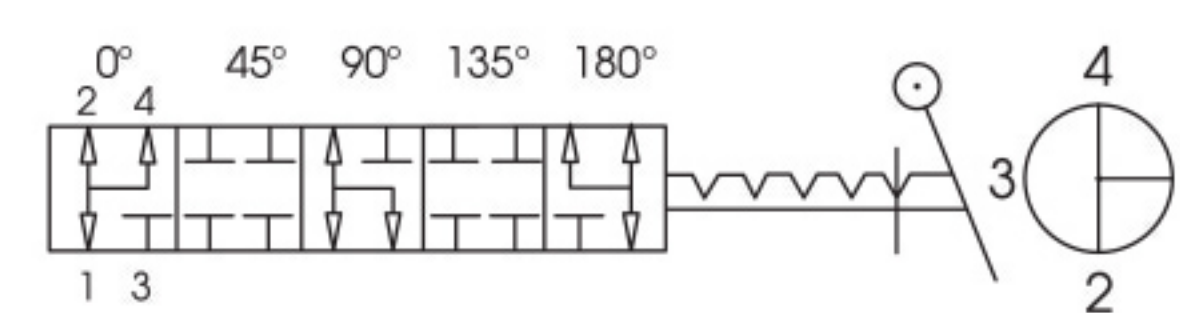
G4 K23



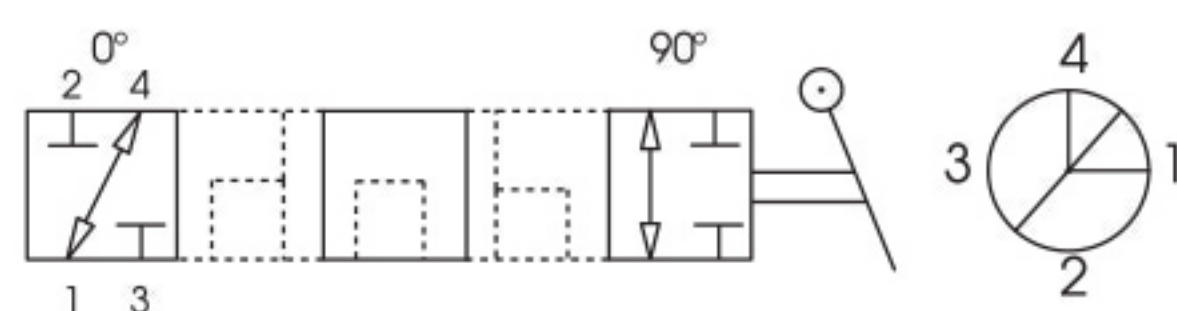
G4 K17



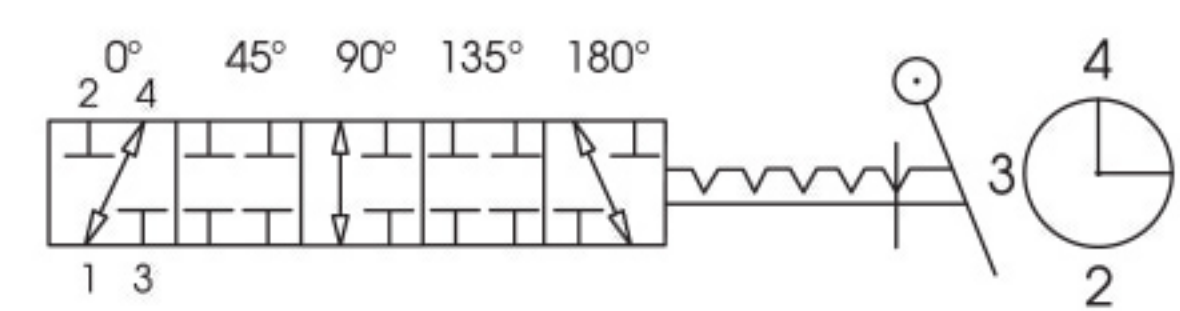
G4 K24



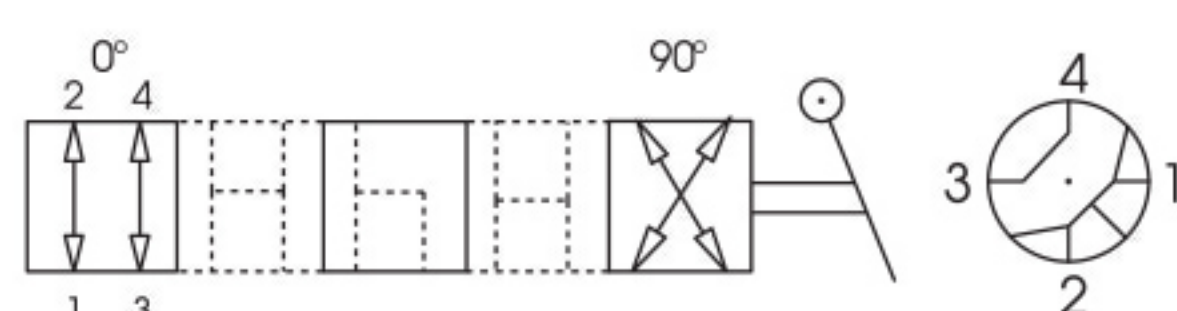
G4 K18



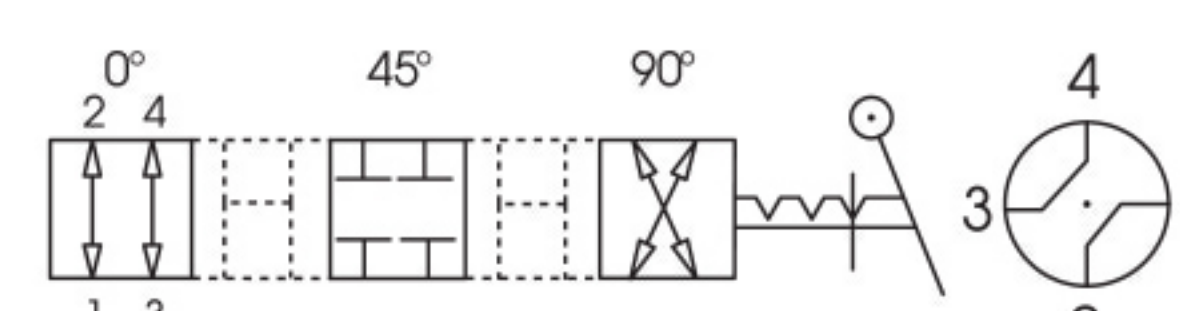
G4 K25



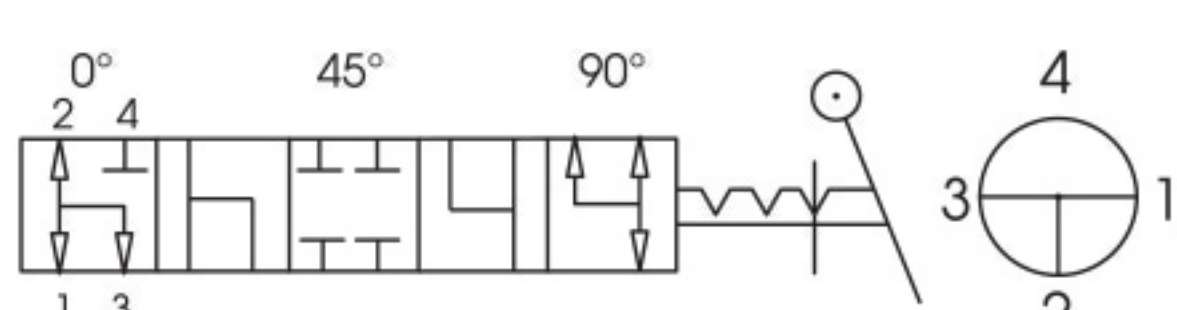
G4 K19



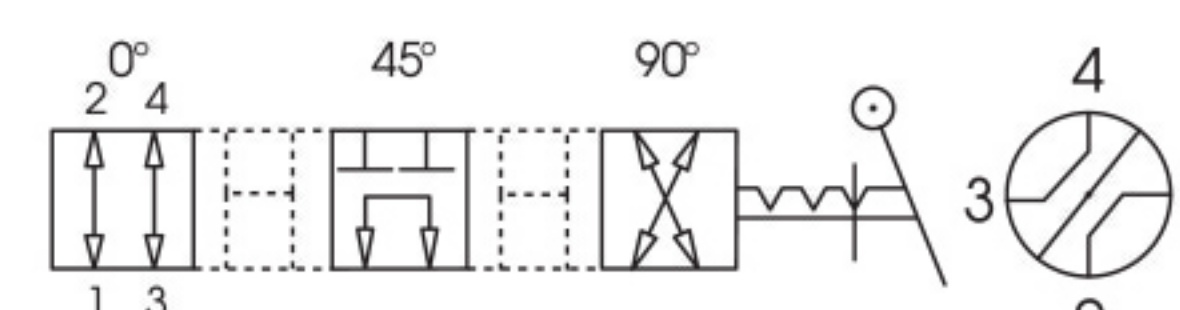
G4 K26



G4 K20



G4 K27



G4 K21

